

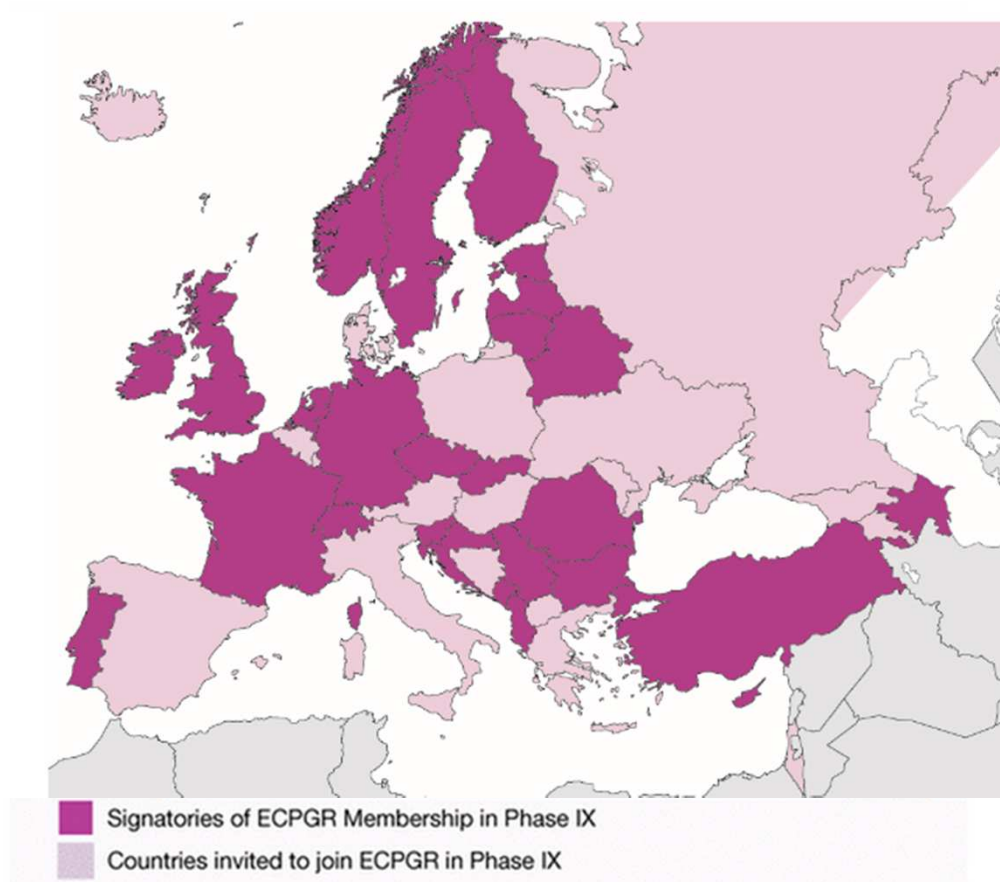
# Progress on implementation of Phase IX

Lorenzo Maggioni

6<sup>th</sup> ExCo Meeting, Maccarese, 8-10 December 2014

# Membership

The following countries have signed the agreement for the ECPGR Membership during Phase IX:



- 26 signatures  
(out of 37 budgeted contributions)

---

---

## **ECPGR objectives (logical framework)**

- Completed, agreed and published, except in situ/on-farm
- Relations with users possibly to be revised, depending on other initiatives (see framework document prepared by Secretariat)
- Not specified what its primary use should be (guiding document or accountability instrument)



# Terms of reference



PHASE IX (2014-2018)

GOAL,  
RULES OF PROCEDURES  
AND

TERMS OF REFERENCE FOR THE OPERATIONAL BODIES

- Rules of procedure
- Terms of Reference:
  - ExCo
  - ExCo Chair
  - Secretariat
  - WGs
  - WG Chairs
- Country quota system
- Transition steps



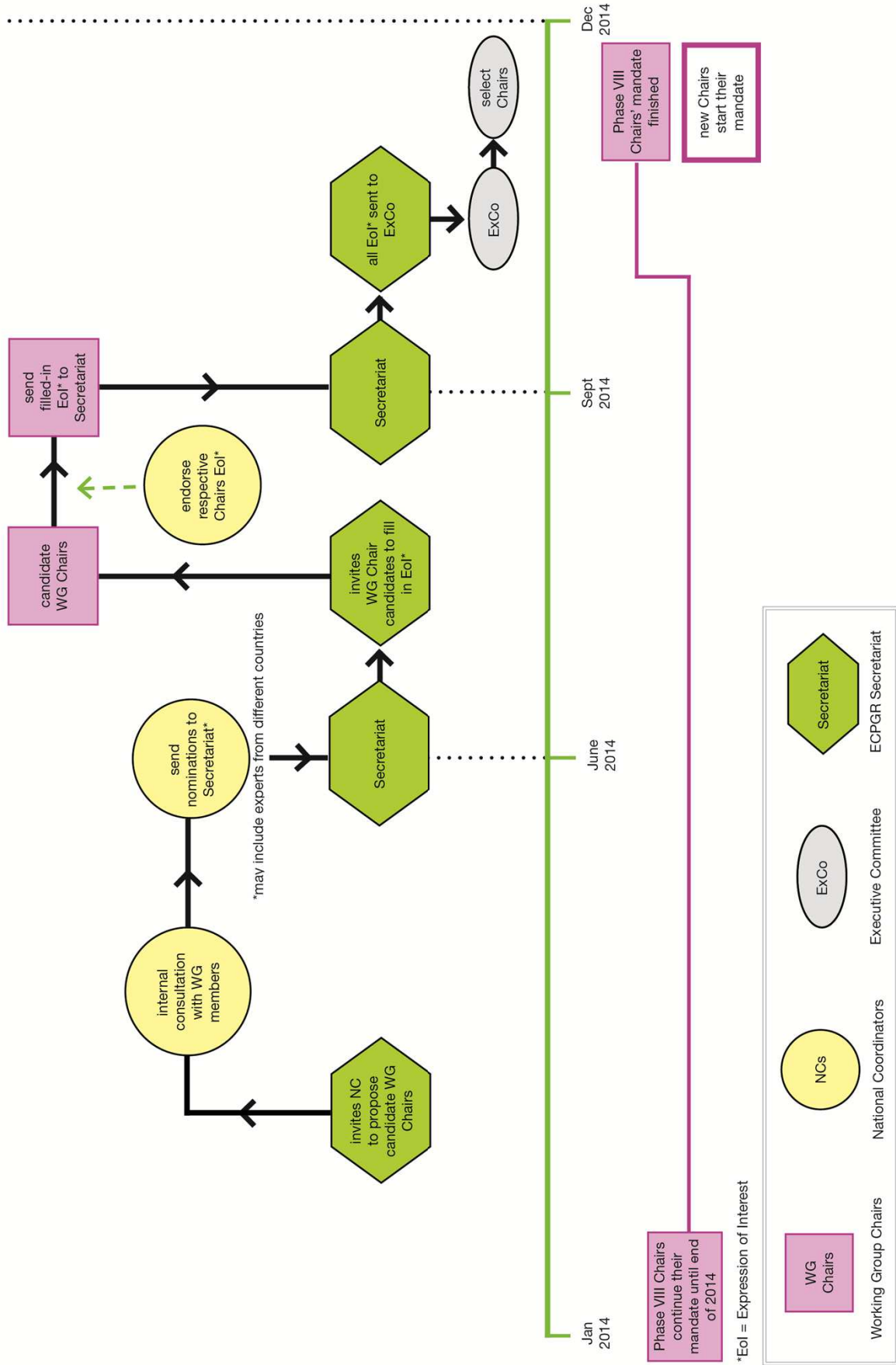
# Composition of WGs

- Nominations received from **25** National Coordinator
- Size of WGs: between **35 and 73** members (average **56** members) (total: 1170)

## Categories used:

- genebank curator **342**
- crop specialist **328**
- plant breeder **215**
- info/doc **160**
- policy **122**
- other **36**

# Flow Chart 2. Renewal of WG Chairs appointment





EXPRESSION OF INTEREST

I herewith declare my personal interest and institutional commitment to participate in the proposed ECPGR Activity ..... (title of proposed Activity) and certify that the information provided below is correct and reflects my current position in the institute/organization.

Name: ..... Position: .....  
Institute name: .....  
Country: .....  
Working Group: .....

The contribution that I can offer to the proposed ECPGR Activity consists of the following specific actions, services or skills (e.g. provision of expertise, research infrastructure, equipment, experimental field/glass house space, staff time, logistic support, others).

Please specify in detail below:

- a. ....
- b. ....
- c. ....

I have obtained the endorsement from my National Coordinator (Mr/Ms ..... ) for this Expression of interest  
Yes / Not yet

My direct supervisor (Mr/Ms ..... ) is supporting my participation in the proposed ECPGR Activity  
Yes/No/ Not applicable

I am therefore committed to spend the full time necessary to meet/comply with ECPGR-Activity related obligations.

Signature ..... Date .....



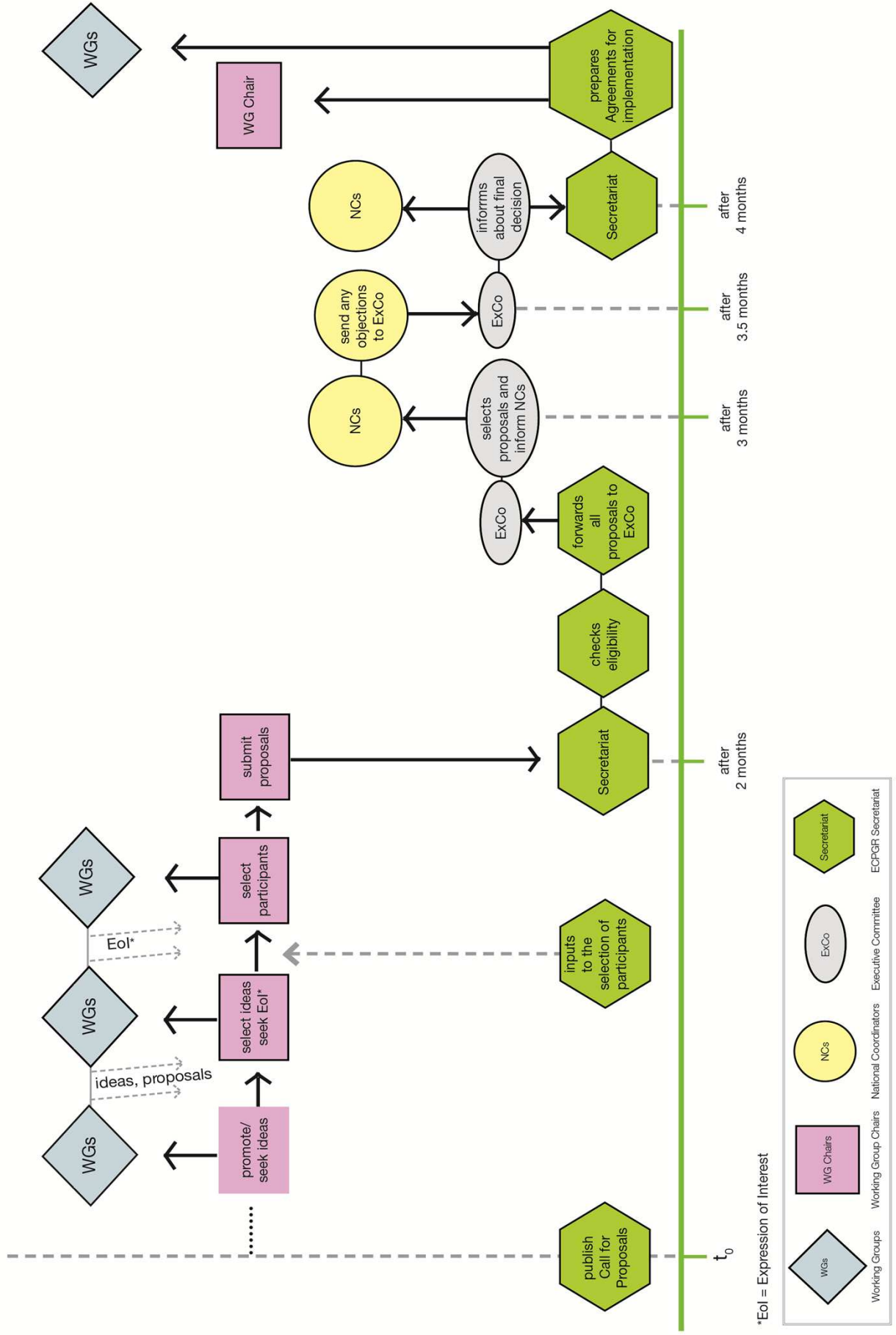
---

---

# Renewal of Chairs appointment

- Nominations received from **16** National Coordinators
- Expressions of Interest from **22** potential Chairs (9 new and 13 current)
- **4** WGs do not have a valid nomination (Allium, Beta, Leafy veg., Potato)

### Flow Chart 3. Competitive scheme for WG activities



# Country quota system

- ECPGR budget for activities: 75% = meetings; 25% = other activities
- Only the budget for meetings is assigned through a country quota system
- A country quota is assigned to each country based on annual contribution → Italy = 4.5% (34 quota units)
- One quota unit = one night in a ECPGR meeting anywhere in Europe
- ExCo quota (6.5%) – at the discretion of the ExCo

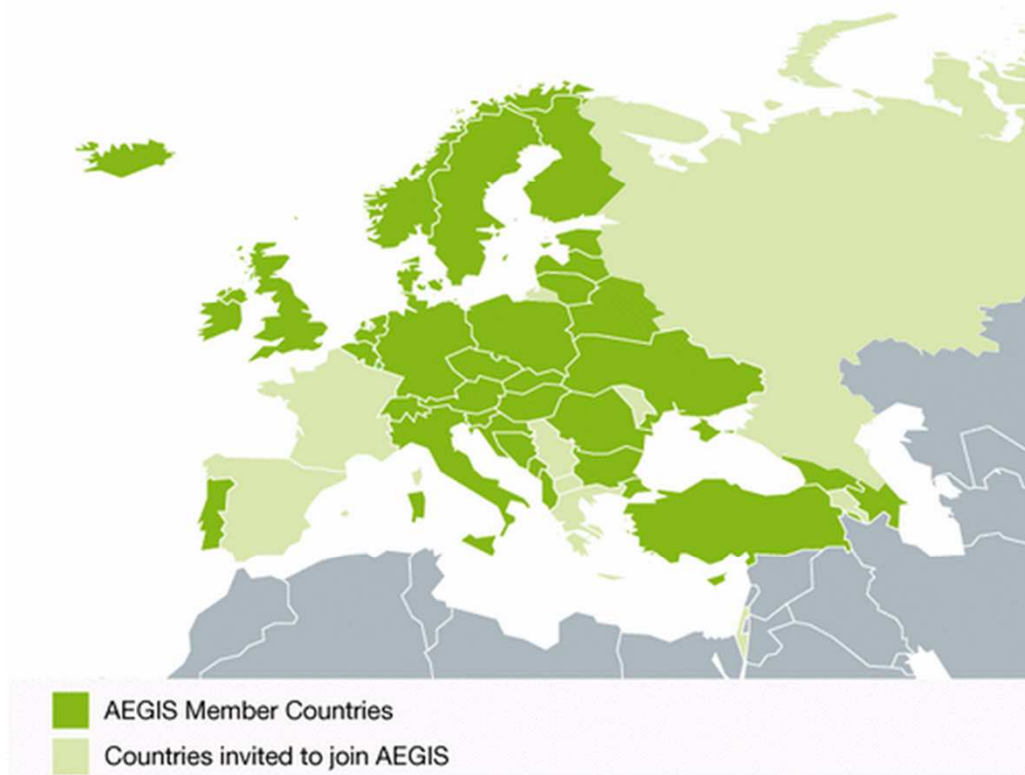
# ECPGR Grant Scheme

- First Call launched on 30 June - budget made available for 2015: **€ 160,600**
- 13 proposals, 11 eligible from 13 WGs, requesting a total of **€ 176,250**
- Ratio meetings vs. other activities = 38% vs. 62%

## Task Forces

- In situ wild relatives → *concept to be revised*
- On-farm landraces → *concept not approved, a meeting is organized in 2015*
- Engagement of users in ECPGR activities → *framework report prepared by Secretariat*

# AEGIS membership status

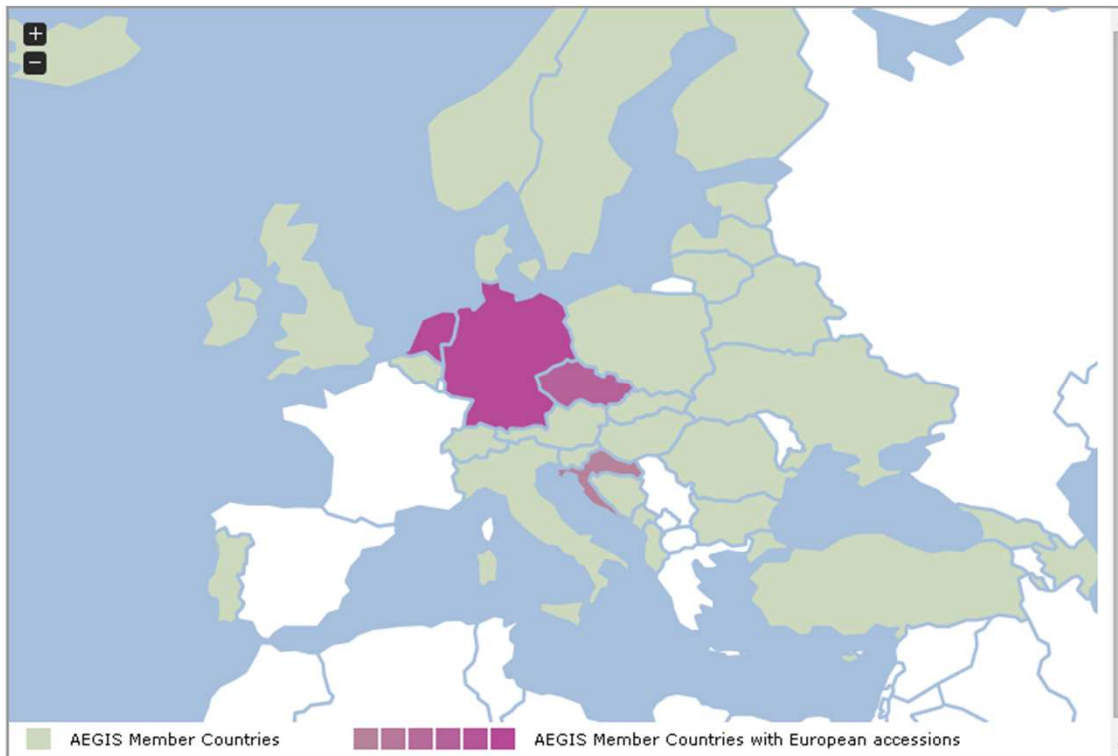


34 Members

54 Associate Members' Agreements

1. **Albania** (06 May 2009) - Associate Members
2. **Austria** (05 December 2012) - Associate Members
3. **Azerbaijan** (16 July 2009) - Associate Members
4. **Belarus** (02 November 2011) - Associate Members
5. **Belgium** (01 June 2012) - Associate Members
6. **Bosnia and Herzegovina** (19 May 2010)
7. **Bulgaria** (02 December 2009) - Associate Members
8. **Croatia** (02 December 2009) - Associate Members
9. **Cyprus** (15 September 2012) - Associate Members
10. **Czech Republic** (23 July 2009) - Associate Members
11. **Denmark** (22 February 2010) - Associate Members
12. **Estonia** (22 May 2009) - Associate Members
13. **Finland** (02 December 2009) - Associate Members
14. **Georgia** (18 May 2009) - Associate Members
15. **Germany** (05 November 2009) - Associate Members
16. **Hungary** (22 November 2011) - Associate Members
17. **Iceland** (22 October 2010) - Associate Members
18. **Ireland** (22 July 2009)
19. **Italy** (03 March 2014)
20. **Latvia** (01 June 2012)
21. **Lithuania** (12 October 2010)
22. **Montenegro** (16 December 2010)
23. **Netherlands** (28 May 2009) - Associate Members
24. **Norway** (17 August 2009) - Associate Members
25. **Poland** (17 May 2010) - Associate Members
26. **Portugal** (20 November 2009)
27. **Romania** (14 April 2010) - Associate Members
28. **Slovakia** (17 June 2009) - Associate Members
29. **Slovenia** (21 September 2009) - Associate Members
30. **Sweden** (31 May 2011) - Associate Members
31. **Switzerland** (27 July 2009) - Associate Members
32. **Turkey** (14 November 2011) - Associate Members
33. **Ukraine** (30 April 2009)
34. **United Kingdom** (18 June 2010) - Associate Members

# The European collection today



12 500 accessions

- The Netherlands: 5864
- Germany: 5324
- Czech Republic: 1222
- Croatia: 90

(1258 new accessions in 2014)

# AQUAS elements

## 1) Template for operational genebank manual

- All Associate member institutes are encouraged and expected to compile it and upload it on AEGIS Web site
- 5 genebank manuals are online

## 2) Generic operational genebank standards

- Generic standards on seed, field and *in vitro*/cryopreservation genebanks approved by FAO Commission in April 2013



# AQUAS elements

## **3) Agreed minimum crop-specific technical standards (complementing generic standards)**

- **6** WGs have agreed on crop-specific standards for one or more routine operations (using FAO standards as reference)

## **4) An AEGIS Safety-duplication Policy**

- approved

## **5) An AEGIS Distribution Guideline**

- approved

## **6) Record keeping, monitoring and reporting system**

- Under development

## **EURISCO status**

- Transferred to IPK as of 30 September
- Cost of 8 months maintenance and help for transfer paid to Bioversity: 20,000 USD
- MoU signed between Bioversity and IPK
- Amendment to Data Sharing Agreement
- Functionality of EURISCO at IPK in progress

# Secretariat travels

- **Annual meeting of the Italian National Programme for the Implementation of the International Treaty**, Monsampolo del Tronto, **Italy**, 16 April 2014
- **First meeting of a Consortium for the preparation of a project proposal under Horizon 2020 (SFS7-b)**, Schiphol, **The Netherlands**, 8 May 2014
- **PGR Secure Consortium and European Association for Research on Plant Breeding (EUCARPIA) - Joint International Conference on utilization and conservation of crop wild relative (CWR) and landrace (LR) diversity for crop improvement**, Cambridge, **UK**, 16-20 June 2014
- **Second meeting of a Consortium for the preparation of a project proposal under Horizon 2020 (SFS7b)**, Schiphol, **The Netherlands**, 3 October 2014
- **SeedNet Workshop “SeedNet – the Way Ahead”**, Ljubljana, **Slovenia**, 5-6 November 2014

# Web site



*A safety network  
for our crops*

follow @ecpgr

ABOUT ECPGR ▾ WORKING GROUPS ▾ MEETINGS ▾ RESOURCES ▾ FUNDING OPPORTUNITIES ▾ CONTACTS IN ECPGR ▾ AEGIS ▾ EURISCO

The European Cooperative Programme for Plant Genetic Resources (ECPGR) is a collaborative programme among most European countries aimed at ensuring the long-term conservation and facilitating the increased utilization of plant genetic resources in Europe



Tomato varieties



A European Genebank  
Integrated System  
The AEGIS initiative is the brain  
child of ECPGR



Web-based catalogue  
providing information about  
ex situ plant collections  
maintained in Europe

### ECPGR ARCHIVE

Archive for information on ECPGR activities  
during previous phases...

### LATEST NEWS



#### New ECPGR and AEGIS website has been released

8 Nov 2014 | [More](#)

The ECPGR website has been upgraded in order to respond to increased security...

#### Umbellifer Crops Working Group - Project on Wild Relatives

29 Oct 2014 | [More](#)

The reports from three partners in the project are available online. [Click on...](#)

### LATEST PUBLICATIONS



#### Tailoring the Documentation of Plant Genetic Resources in Europe to the Needs of the User

Workshop of the ECPGR  
Documentation and Information  
Working Group, 20-22 May 2014,  
Prague, Czech Republic



### New ECPGR & AEGIS website

the ECPGR website has been upgraded in order to respond to increased security system requirements. The AEGIS website has been merged with the ECPGR website..

[Read More](#)

[ECPGR Secretariat](#) [ECPGR Listserv](#) [Links](#) [Archive \[Phase VIII\]](#) [Site map](#)

PGRI and INBAP operate under the name [Biodiversity International](#). @Biodiversity International - Italy [www.biodiversityinternational.org](#)

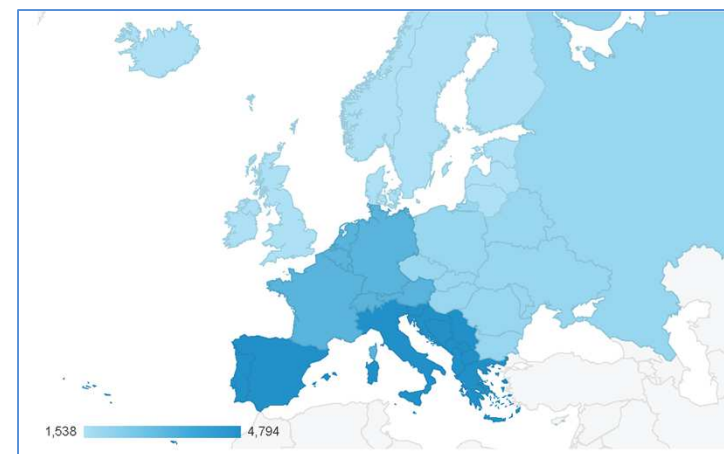
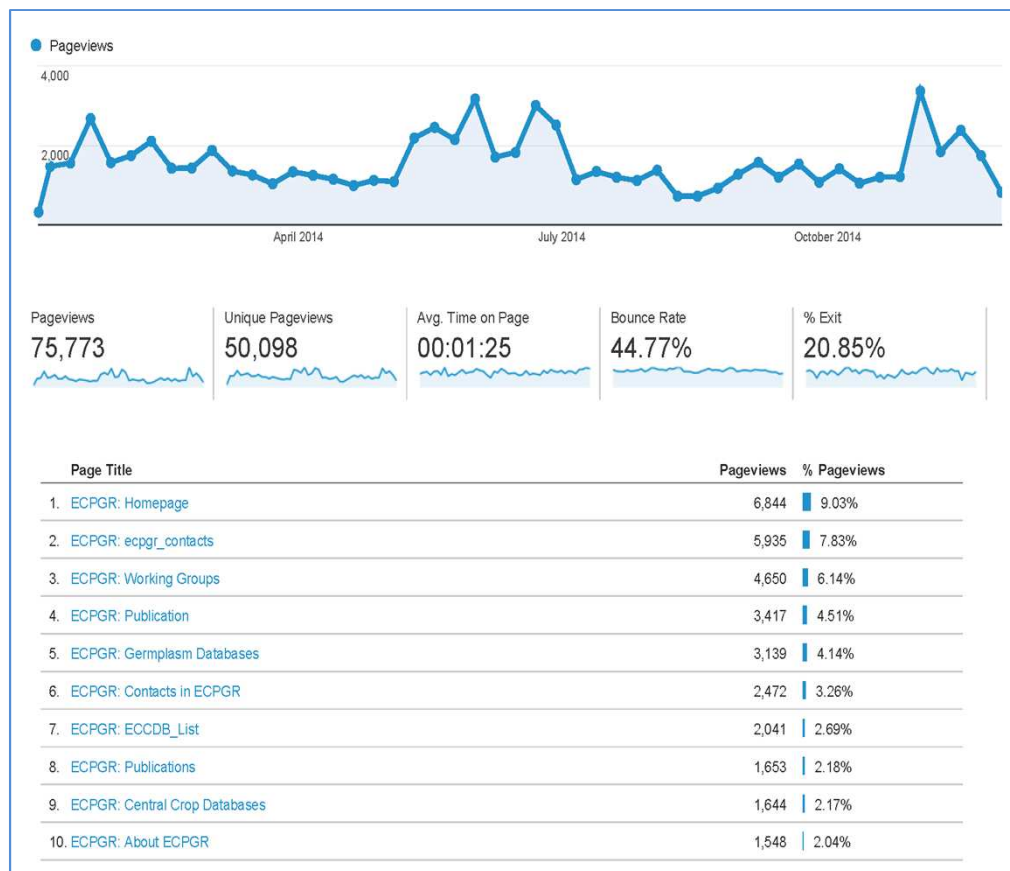
Please send any comments to [ECPGR Secretariat](#)



All content on this website is licensed under a  
Creative Commons Attribution-NonCommercial-NoDerivs 3.0 Unported License



# ECPGR Website (1 Jan- 3 Dec)



Subcontinent Region	Sessions
	11,604
	% of Total:
	73,44% (15,800)
Southern Europe	4,794
Western Europe	3,324
Eastern Europe	1,948
Northern Europe	1,538
Rest of World	4,196 (26,56%)

# Web page on funding opportunities

*A safety network  
for our crops*

follow @ecpgr

[ABOUT ECPGR](#) [WORKING GROUPS](#) [MEETINGS](#) [RESOURCES](#) [FUNDING OPPORTUNITIES](#) [CONTACTS IN ECPGR](#) [AEGIS](#) [EURISCO](#)

Homepage / Funding Opportunities / **Other funding opportunities**

Share: [f](#) [t](#) [e](#) [p](#)

## Other funding opportunities

[CALL FOR PROPOSALS from the Federal Ministry of Education and Research, Germany](#)

[HORIZON 2020 - European Commission](#)

[COST - European Commission](#)

[LIFE \(2014-2020\) - European Commission](#)


[INTERREG EUROPE - European Commission](#)

[Portal for PGRFA - FAO](#)

Funding Opportunities

[ECPGR Activity Grant Scheme](#)

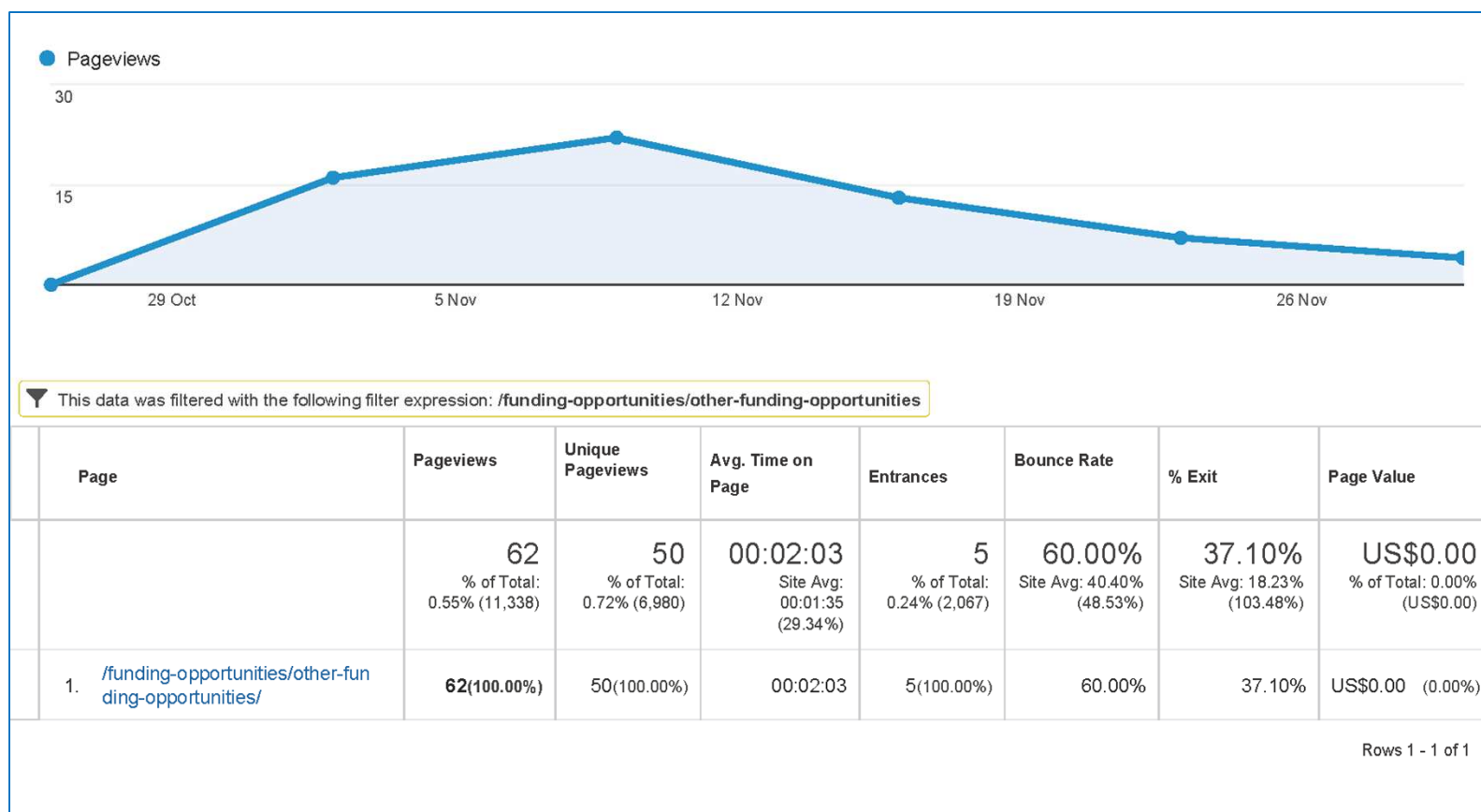
[Other funding opportunities](#)

 Related Information

### Papers

Eisenstadter I. 2014. [It takes time and a team to win grants](#). Nature 515:153-154

# ECPGR Website - page for funding opportunities (26 Oct – 3 Dec)



## Financial status – Phase IX

- Phase IX contributions received from 24 countries: € 329,500

64 % of amount expected for 2014 from 37 countries (€ 510,250)

- Of the missing countries, uncertain expectation from Greece, Macedonia FYR, BiH?, Italy?, Poland?
- Unexpected payment from Portugal



# Financial status - Phase VIII

- Carry over from Phase VIII (as per Phase IX budget):  
Net € 217,361
  - + **NEW FUNDS (not budgeted):**
    - Outstanding Phase VIII contributions paid in 2014: Net € 40,442
    - Returned from Trust: € 5,000
    - Unspent AEGIS potato project: € 5,000
- Therefore, total available = **€ 267,803**
- **Already Used/Allocated: € 210,461**
    - D&I meeting: € 22,500
    - EURISCO transfer: € 16,100
    - PNO consultancy: € 1,500
    - Budgeted for Scheme activities: € 170,361
  - **Remaining to be allocated: € 57,342**

# Financial status – 2014 result

Expenditures Phase IX (estimate end of 2014):

€ 455,926 (budget € 517,690) (+ € 61,764)

Estimate 2014 balance per selected items (effective savings):

- Staff costs: + € 4,900
- Staff travel: + € 1,600
- ExCo travel/meetings: + € 3,000
- Facilities etc. – € 1,000
- EURISCO + € 7,800

**Estimate 2014 savings (net): € 16,300**

# Financial status – Outstanding contributions of previous Phases

(not written off, but practically yes): € 189,250

- Armenia € 13,750
- Georgia € 13,750
- Greece € 22,000
- Malta € 13,750
- Romania € 7,000
- Russian Federation € 91,000
- Ukraine € 28,000

---

# Financial status – Cash balance

- Estimated **CASH** balance at 31 December 2014:

€ 177,000

---

---

## Summary of points of action

- Budget decisions: allocation of “new funds” (€ 73,600)
- Need clarification on objectives logframe, also in view of future reporting
- AEGIS members but not ECPGR members
- Country quota issue → see tomorrow planning for Grant scheme

---

---

# Budget decisions

€ 73,600

- (?) On-farm meeting (Maccaresse, April '15)
- ? Doc&Info meeting on Crop Portals
- ? Grant scheme
- ? Reserve



*Asparagus acutifolius* L., Maccarese 2014

Thank you for your attention